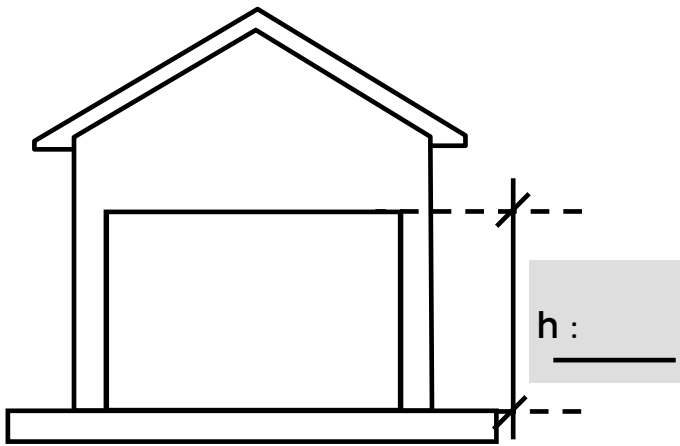
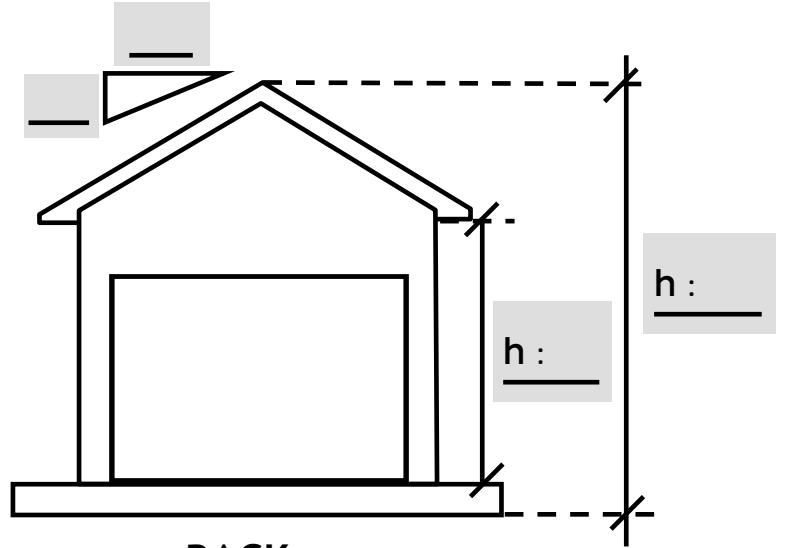


Carport Template

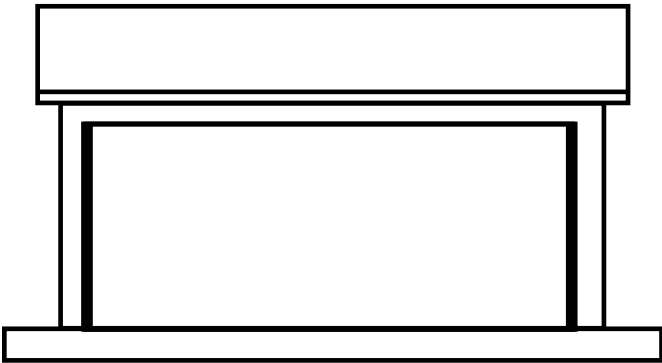
Address or # lot: _____



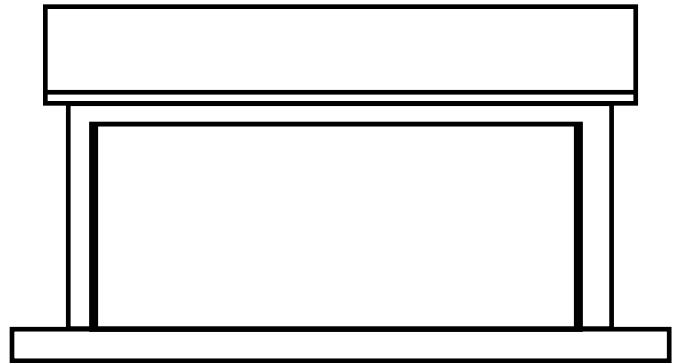
FRONT



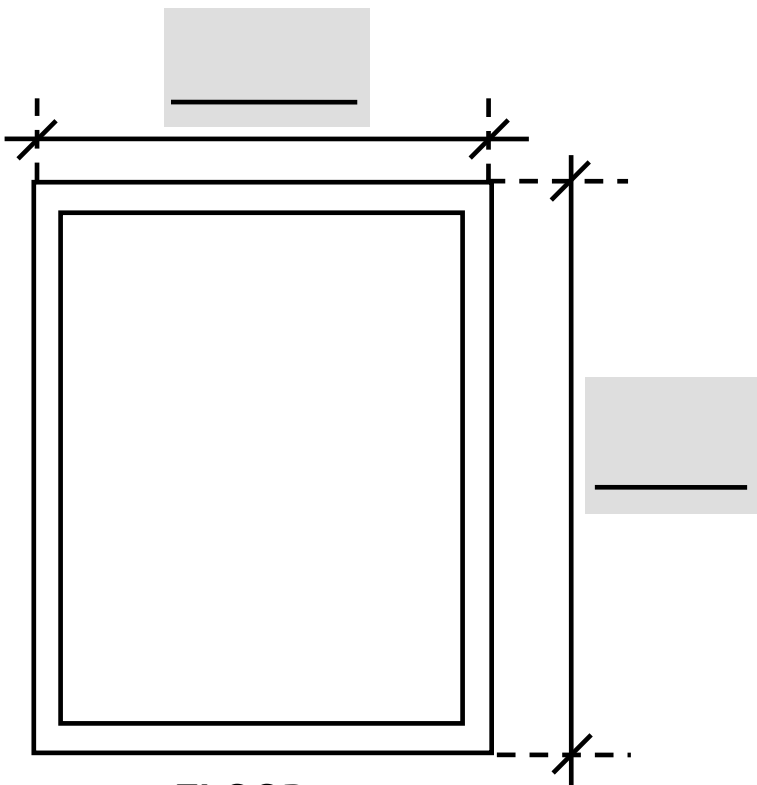
BACK



LEFT SIDE



RIGHT SIDE



FLOOR

Material type/ Constrution type:

ROOF :

.....
.....
.....

WALLS :

.....
.....
.....

TYPE OF FONDATION :
(Slab, footing, ...)

.....
.....

***Please indicate the location of doors and windows on plan.**